

## PREMIER Line

Industry Solutions Since 1949

### AUTOMATIC NET WEIGHT LIQUID FILLING MACHINES - AE SERIES

## NET WEIGHT FILLING AND CLOSING MACHINE FOR BOTTOM FILLING QUART TO GALLON CONTAINERS






Ideal-Pak Model AE2-CAM Two Head Automatic Net Weight Liquid Filling Machine with two fill lance nozzles, Roller Closer, and 2 Pneumatic Hand Cappers (optional).

### CONTAINER SIZE

Small Containers	
1/2 Pint	Pails
Pints	Kegs
• Quarts	Drums
• Gallons	Totes

### INDUSTRIES SERVED

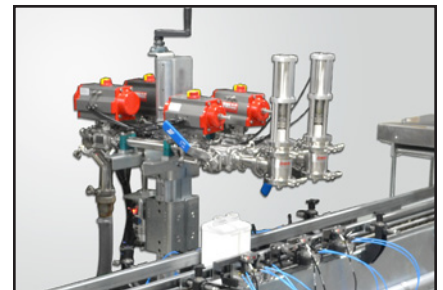
Paints & Coatings	
Chemicals	
Lubricants	

### PRODUCT OVERVIEW

The Ideal-Pak **PREMIER** Line delivers the highest of levels of automation and precision filling performance in a full-featured package. Improve productivity with automatic PLC-controlled filling, lid placement, lid closing and conveyor systems for hands-free operation.

### STANDARD PRODUCT FEATURES

- Electronic Net Weight Filling – In Single or Dual Container Filling Station Configurations.
- Allen-Bradley PLC.
- Auto Preact.
- Bottom Fill (Shown) or Top Fill (Not Shown).
- Check Weigher at Fill Stations.
- Container Counter.
- Drip Cups for Fill Lances.
- Fast Fill Recipe Development & Convenient Fill Recipe Storage.
- Fills Quarts to Gallons.
- Roller Closer for Friction Lids.
- Large Color Touch Screen HMI.
- Lb/Kg Weight Units Toggle.
- Machine Diagnostics.
- Patented Interchangeable Fill Cart (Manifold Fill Cart or Ideal-Pak DFS® Direct Fill System)
- Permanent Lubrication.
- Preventative Maintenance Alert.
- Rigid Steel Frame Construction.



Ideal-Pak Model AE2-CAM with interchangeable fill cart configured for top filling quarts to gallons.

### ABOUT IDEAL-PAK

Ideal-Pak Liquid Filling Machines are designed to increase your yields, productivity and efficiency. Choose from Automatic to Semi-Automatic or Manual Configurations to fill small containers up to drums and totes. Ideal-Pak customers are in the paint and coatings, lubricants, chemicals and food & beverage industries. Ideal-Pak is also your first source for a wide variety of closing machines, lid placers and precision nozzles, plus parts and service, (including Neupak).

May be covered by one or more of the following U.S. Patents: #5,505,233, #5,823,406, #6,148,877, #6,595,250



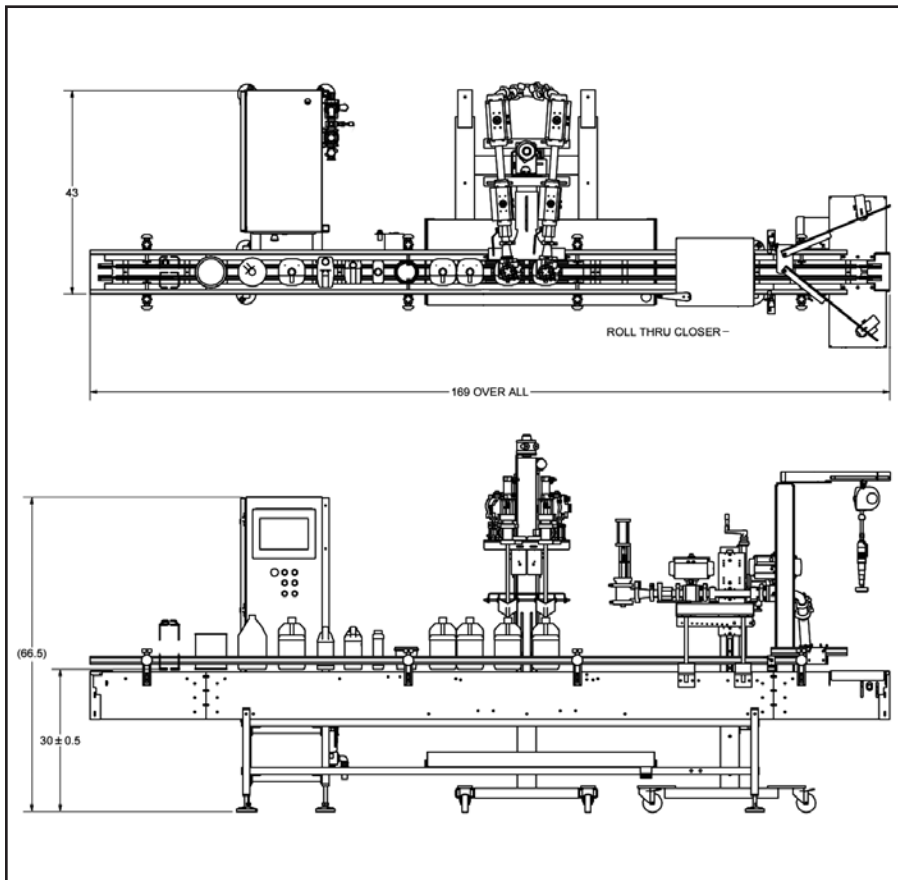
**AUTOMATIC NET WEIGHT LIQUID FILLING MACHINES - AE SERIES**

MACHINE SPECIFICATIONS		
Electrical	460 VAC, 3Ø, 60 Hz	
Air (per head)	60 SCFM @ 80 - 90 PSI (Clean Dry Air)	
Speed (CPM) 2 Fill Heads	Bottom Fill Estimated Range*	Top Fill Estimated Range*
1 Quart	7 - 10	8 - 14
1 Gallon	4 - 6	5 - 8
5 Gallon	2 - 5	3 - 6
Accuracy:	To Within ± .15 lbs	To Within ± .10 lbs
*Estimated average range for screw top & F-Style containers. Fill rates will vary depending on container size, container shape, fill opening, accuracy required, product supply, as well as individual product characteristics and operation mode.		

**OPTIONS**

- Additional Mobile Filling Carts.
- Explosion Proof Machine Upgrade (Class 1, Div 1).
- Flush Trough for Remote Fill Cart Cleaning.
- Glycol Pumps.
- Hand Capper (pneumatic).
- Ideal Pak's Exclusive Direct Fill System DFS® Fill Carts.
- In-feed and Exit Conveyors (Gravity Roller or Powered).
- Lid Placers.
- Nitrogen Purge Controls.
- Pump Controls.
- Roller Closers, Crimper Closers or Press Plate (burper) Closers.
- Rotary In-Feed or Accumulation Tables.
- Sanitary Contact Parts.
- Spare Parts Kits.
- Top Fill, Inside Fill or Bottom Up Filling.
- Various Nozzle Configurations; Cone, Plug, Probe & Shower.
- Zinc Plated Carbon Steel, Stainless Steel or Epoxy Coated Paint Frame.

Subject to changes and modifications without notice.  
May be covered by one or more of the following U.S. Patents:  
#5,505,233, #5,823,406, #6,148,877, #6,595,250.



AE2-CAM Rev. 10-2015

